

# WhiteLase Micro

Supercontinuum multi-purpose white-light source

- Spectrum from <450 nm to >2000 nm
- Output power >200 mW or >500 mW
- Turnkey operation
- 20 MHz repetition rate with ps pulses
- Optical bench mountable
- Small footprint

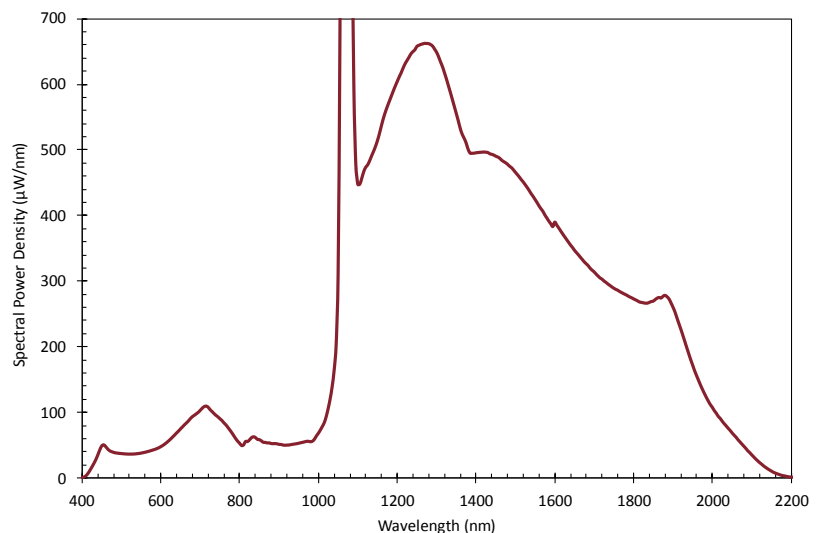


The WhiteLase micro is a compact supercontinuum laser that provides excellent value for money. It offers power levels similar to the SuperK COMPACT but at the same high repetition rate as our bigger WhiteLase and SuperK EXTREME systems.

With a total output power of more than 200/500 mW, covering a broad spectral range of at least 450 nm to 2000 nm, the laser offers unparalleled versatility. The unit is operated by the flick of switch and can be mounted onto an optical bench or incorporated into optical tools. With a small footprint the WhiteLase Micro is also very space efficient.

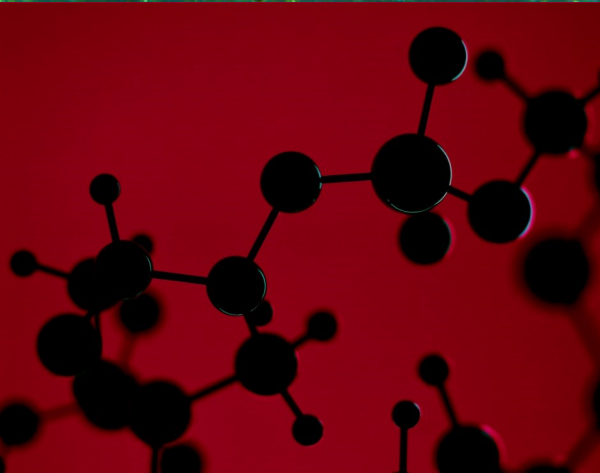
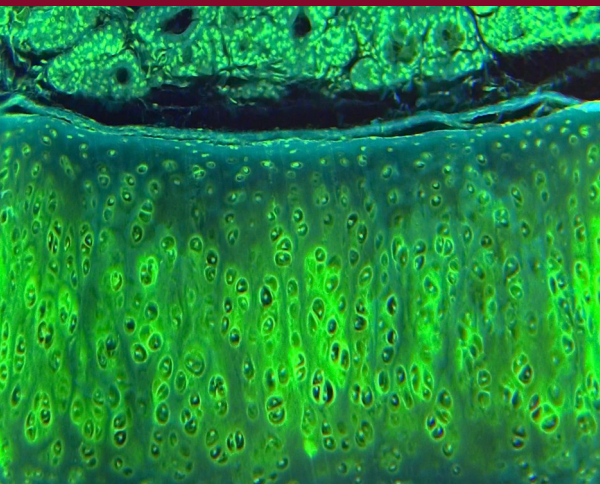
The laser can be used in conjunction with the SuperK SELECT, LLTF and SuperK VARIA filters, giving a variety of tuning options covering the entire wavelength range.

## Typical output spectrum



## Applications

- Broadband spectroscopy
- Optical component characterisation
- Fluorescence lifetime measurement
- Illumination



## Specifications

### Optical

	WL Micro	WL Micro HP	WL Micro ISO
Repetition Rate		20 MHz +/- 3 MHz	
Total power stability		+/- 1.0%	
Wavelength range		450 >2000 nm	
Total Power	>200 mW	>500 mW	>200 mW
Visible power (400-850 nm)	>25 mW	>25 mW	>25 mW
Polarization		Unpolarized	
Beam output		Gaussian, single mode	
Typical M <sup>2</sup>		<1.1	
Output options		Collimated	
Length of output fiber		1.5 m	
Beam diameter		~1 mm at 630 nm ~2 mm at 1060 nm	
Beam Divergence (Over 400-1000 nm)		<3 mrad	
Typical single mode fiber coupling efficiency		~65%	

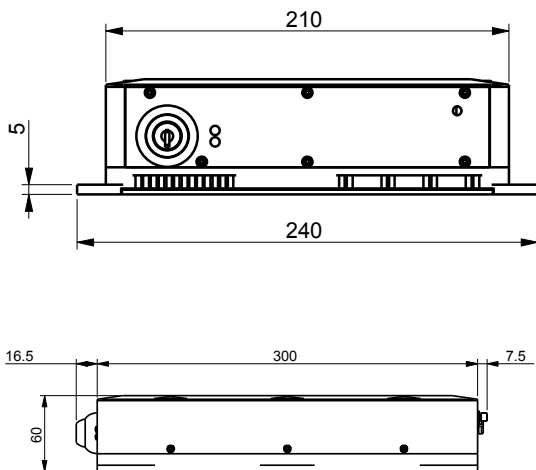
### Mechanical/Electrical

Cooling	Integrated Air Cooling
Power Requirements	100-240 V, 50/60 Hz
Dimensions (WxLxH mm)	210 x 300 x 60
Weight	<6 kg
Computer Interface	USB or RS232
Sync (trigger) Output	Photodiode oscillator monitor (SMA)

All Fianium-branded products are produced under the UK quality management system certified in accordance with the ISO 9001:2008 standard.



Fianium\_whitelase\_Micro\_161229



**NKT Photonics A/S (Headquarters)**  
 Blokken 84, 3460 Birkerød, Denmark  
 Phone: +45 4348 3900  
 Fax: +45 4348 3901

**NKT Photonics GmbH**  
 Schanzenstrasse 39, Bldg D9-D13  
 51063 Cologne, Germany  
 Phone: +49 221 99511-0  
 Fax: +49 221 99511-650

**NKT Photonics Inc.**  
 Office 23, 4400 Route 9 South,  
 Freehold, NJ 07728, USA  
 Phone: +1 732 972 9937  
 Fax: +1 732 414 4094